

RECALLED



TROUBLE IN

TOYLAND

THE 31ST ANNUAL SURVEY OF TOY SAFETY

November 2016

U.S. PIRG
Education Fund

Trouble in Toyland

The 31st Annual Survey of Toy Safety



Written by:

Dev Gowda and Ed Mierzwinski

U.S. PIRG Education Fund

November 2016

Acknowledgments

U.S. PIRG Education Fund thanks the Colston Warne program of Consumer Reports for supporting our work on consumer protection issues. Additional thanks to individual contributors for their generous support of our work on toxics, public health, and consumer issues. Special thanks to Anastasia Perry for her research assistance.

The authors bear responsibility for any factual errors. Policy recommendations are those of U.S. PIRG Education Fund. The views expressed in this report are those of the authors and do not necessarily reflect the views of our funders or those who provided review.

© 2016 U.S. PIRG Education Fund. Some Rights Reserved. This work is licensed under the Creative Commons Attribution-NonCommercial-NoDerivatives 4.0 International License. To view a copy of this license, visit <http://creativecommons.org/licenses/by-nc-nd/4.0/> or send a letter to Creative Commons, PO Box 1866, Mountain View, CA 94042, USA. All images of recalled toys were taken from the CPSC website. The CPSC did not contribute to this report nor does it endorse this report, U.S PIRG Education Fund, or its affiliates.

With public debate around important issues often dominated by special interests pursuing their own narrow agendas, U.S. PIRG Education Fund offers an independent voice that works on behalf of the public interest. U.S. PIRG Education Fund, a 501(c)(3) organization, works to protect consumers and promote good government. We investigate problems, craft solutions, educate the public, and offer meaningful opportunities for civic participation. For more information about U.S. PIRG Education Fund or for additional copies of this report, please visit www.uspirgedfund.org.

Report layout: Alec Meltzer

Cover design: Anna Low-Beer

Cover photo: Billion Photos / Shutterstock. Toys shown may not be subject to recall.

Table of Contents

Executive Summary	1
Introduction	3
Toy Safety Milestones	4
Hazards in Toys	6
Toxic Hazards	6
Lead.	6
Phthalates	7
Choking Hazards	8
Small Balls.	8
Balloons	9
Magnets	10
Excessive Noise	11
Overheating of Batteries and Chargers	11
Recommendations	12
Methodology	14
CPSC-Recalled Toys from January 2015 to October 2016	15
Appendix 1. Reported Toy-Related Deaths, 2001-2014	59
Appendix 2. CPSC Characteristics of Toys for Children Under Three	60
Notes	61

Executive Summary

For over 30 years, U.S. PIRG Education Fund has conducted an annual survey of toy safety, which has led to over 150 recalls and other regulatory actions over the years, and has helped educate the public and policymakers on the need for continued action to protect the health and wellbeing of children.

Toys are safer than ever before, thanks to decades of work by product safety advocates, parents, the leadership of Congress, state legislatures, and the Consumer Product Safety Commission (CPSC).

U.S. PIRG Education Fund staff examined toys recalled by the CPSC between January 2015 and October 2016 and looked at whether they appeared to still be available for sale online.

Since January 2015, the CPSC, in cooperation with manufacturers and distributors, has announced over 40 recalls of toys and children's products totaling over 35 million units. We found that over a dozen recalled toys appeared to be available for sale. Also, parents should watch out for recalled toys that could still be in their homes.

Despite recent progress in making toys safer, toys are still being recalled for hazards such as lead, choking hazards, and overheating. To keep children safe from potentially hazardous toys, there is still more to do.

Policymakers should continue building upon recent progress in the strengthening of toy safety standards by:

- Maintaining the CPSC's funding and authorities to protect the public; and
- Understanding that regulations protect health and safety.

The CPSC should improve recall effectiveness:

- Engage in efforts to increase consumer and researcher awareness of the public hazard database SaferProducts.gov;
- Aggressively seek to increase recall effectiveness by making sellers agree to conduct more effective outreach campaigns that stress the real hazard posed, rather than simply promote the purported good will of the firm;
- Perform regular online sweeps checking for the availability of previously-recalled toys; and
- Hold companies reselling recalled products accountable, which also sends a message to others.

The CPSC should continue to enforce and improve strong safety standards:

- Continue to vigorously enforce the Consumer Product Safety Improvement Act's mandatory standards for toys, including strict limits on lead and lead paint in any toys, jewelry or other articles for children under 12 years;
- Vigorously enforce the Consumer Product Safety Improvement Act's permanent ban on the use of three specific phthalates in all toys and children's products;
- Enlarge the small parts test tube to be more protective of children under three;
- Change the small-ball rule to include small round or semi-round objects, and not just "balls" in the strictest definition, since these toys pose the same hazards as small balls (this is especially true of rounded toy food, since it is "intended" to be eaten);
- Enforce the use of the United States' statutory choke hazard warning label, as many toys now are wrongly labeled with less explicit foreign warnings; and
- Continue to enforce CPSC rules requiring online warning labels.

Parents and caregivers can also take steps to protect children from potential hazards. We recommend that parents:

- Subscribe to email recall updates from the CPSC and other U.S. government safety agencies available at www.recalls.gov;
- Shop with U.S. PIRG Education Fund's Toy Safety Tips, available at toysafetytips.org;
- Examine toys carefully for hazards before purchase – and don't trust that they are safe just because they are on a store shelf. Check the CPSC recall database at CPSC.gov before buying toys online;
- Report unsafe toys or toy-related injuries to the CPSC at Saferproducts.gov;
- Remember, toys on our list are presented as examples of previously recalled toys only. Other hazards may exist;
- Review the recalled toys list in this report and compare it to toys in your children's toy boxes; and
- Put small parts, or toys broken into small parts, out of reach. Regularly check that toys appropriate for your older children are not left within reach of children who still put things in their mouths.

Introduction

Toys are safer than ever before, thanks to decades of work by product safety advocates, parents, the leadership of Congress, state legislatures and the Consumer Product Safety Commission (CPSC). Nonetheless, since January 2015, the CPSC, in cooperation with manufacturers and distributors, has announced over 40 recalls of toys and children's products totaling over 35 million units.

This year is the 31th annual release of our Trouble in Toyland report. This year, we emphasize two warnings to parents and toygivers:

- Recalls are often not effective in reaching consumers. You may have previously recalled toys at home. We urge you to check our list.
- In some cases, we were able to purchase previously recalled toys on the Internet. We have notified the CPSC of these potentially illegal sales.

Choking on small parts, small balls and balloons remains a leading cause of toy-related deaths and injuries. Some toys can pose hidden hazards, exposing children to dangerous chemicals that are linked to serious health problems. Other emergent hazards the CPSC has addressed in recent years are posed by small powerful rare earth magnets.

Key parts of the Consumer Product Safety Improvement Act (CPSIA) of 2008 recognized the growing threat of toxic chemicals. It gave CPSC authority to enforce strict limits on lead, other heavy metals, and phthalates in toys and children's products.

In 2014 (the last year for which data are available), there were 251,800 toy-related injuries treated in U.S. hospital emergency departments, and 11 toy-related deaths.¹ But despite lingering dangers, in the last 30 years we've come a long way in terms of both policy and compliance with standards.

Toy Safety Milestones

Small Parts Ban (1979)

The CPSC small parts ban prohibited sale of toys or balls intended for children under 3 containing parts, or that could easily break into parts, smaller than a small parts test cylinder.

The Child Safety Protection Act of 1994

From 1980-1992, the Consumer Product Safety Commission (CPSC) and Congress did little to protect children from dangerous products. Throughout that period, PIRG and other consumer groups lobbied Congress and the CPSC to increase the size of the small parts choking hazard test and to require appropriate choke hazard warning labels on toys for older children. A 1992 campaign led by ConnPIRG and a number of child safety advocates resulted in a choke hazard warning label law that took effect in Connecticut in 1993. The Connecticut law, upheld in the courts by the state Attorney General, laid the groundwork for a federal standard.

In 1994, after years of battling the influential and powerful toy lobby, Congress finally passed a child safety proposal championed by PIRG and other safety organizations including the Consumer Federation of America and Consumers Union. The Child Safety Protection Act (CSPA), which took

effect in January 1995, required explicit choke hazard warning labels on all toys containing small parts intended for children ages three to six, and the same warnings were required on balloons, small balls, and marbles. It also increased the size of banned small balls, as round objects are especially dangerous choking hazards. This legislation was a powerful first step towards safer toys.

The Consumer Product Safety Improvement Act of 2008

In 2008, after a series of record-breaking toy recalls—including millions of units of lead-laden brand name, iconic toys, Congress passed the Consumer Product Safety Improvement Act (CPSIA), which gave the CPSC broad new powers to speed up recalls, hold toy manufacturers more accountable; the act also set stricter bans on lead, phthalates and other toxic chemicals in children's products. Importantly, the act also required third-party testing of toys at CPSC-approved laboratories and also established a public database, saferproducts.gov, where consumers can file complaints about hazards posed by any CPSC-regulated product, from toys to toasters and electric ranges.

Since 2008 and the passage of the CPSIA, the number of children's products recalled on a yearly basis has continued to

decline — whereas before the law, recalls were increasing. This data shows that the CPSIA has had a role in reversing a dangerous trend.

Ban On Small Powerful Magnets (2014)

Rare earth magnets sold over the last 15 years are much more powerful than older magnets. Small powerful magnets are found in construction sets, puzzles, toy jewelry, action figures, board games, and train sets, and are also used in products geared towards adults like desk toys and stress relievers. Numerous incidents reported to the CPSC made it clear that children can swallow several magnets and suffer serious injuries requiring emergency surgery when they bind together across intestinal walls. Between 2009 and 2013, the CPSC estimates that high-powered magnets led to approximately 2,900 emergency room-treated injuries. Following lawsuits against several small magnet sellers, the CPSC issued a 2014 ban on small, powerful magnets.

The Road To Safer Toys

In the past thirty years, the *Trouble in Toyland* report has led to over 150 recalls and other actions by manufacturers, retailers, and the CPSC.

Going forward, we are pleased with the progress we have made and will continue

to advocate for improving choking hazard rules and banning more toxic chemicals. We will also fight against general attacks on consumer protection regulations that affect the CPSC and other agencies. Dangers are still present, and parents and regulators must remain vigilant, but there are many signs of progress toward safer toys and children's products. From legislation like the Consumer Product Safety Improvement Act to recent phthalate and magnet bans, 30 years of *Trouble in Toyland* has made children safer.

The Need To Improve Recall Effectiveness

Yet despite these improvements, making recalls faster and more effective remains a challenge. Not enough consumers hear about recalls and not enough of those who do may take action. This year's report focuses on warning parents and caregivers of the threat posed by recently-recalled toys that you may have at home but haven't heard about.

We also warn retailers and distributors, as well as resellers, particularly Internet sites, that it is illegal to sell previously-recalled products. Most brick and mortar stores have instituted inventory control "lock-outs" that prevent a recalled toy a consumer finds on the shelf from being purchased at the checkout. Yet, some toys were still available online, including at large merchant websites, not only at reseller sites².

Hazards in Toys

Despite progress in recent years, some toys and children's products still have the potential to cause harm. Depending on the materials used and the quality and nature of the product itself, the risks for children posed by toys and other products range from choking on small parts to suffering from dangerous chemical reactions in the body. In extreme cases, the consequences can be fatal. This section describes the most common hazards for children, and the federal standards relevant to each hazard.

Toxic Hazards

Lead

Despite the CSPIA and stronger enforcement by the CPSC, toys containing metals that pose a health risk to children continue to make it onto American store shelves. Between January 2015 to October 2016, the CPSC recalled 11 toys for violations of the CSPIA toxic heavy metal lead standard.³

Elemental lead is a soft metal occurring naturally in soils and rocks. It has a variety of commercial uses including in batteries, plastics, and radiation shielding. In the past, lead was also added to gasoline and paint.⁴ Because of lead's toxicity, in 1978 it was banned in household paint,

in products marketed to children, and in dishes and cookware in the United States.⁵ Lead is not discernible by sight or smell. Lead exposure is particularly damaging for young children because of its impact on development. Even low levels of lead in blood have been shown to undermine IQ, attentiveness, and academic achievement. The Centers for Disease Control and Prevention (CDC) makes clear that any amount of lead in a child's blood is unsafe.⁶ Moreover, since the effects of lead exposure cannot be reversed, it is especially important to prevent lead exposure to children in the first place. Unfortunately, toys can pose a risk in part because lead is used in other countries and can be found in imported products.⁷ Additionally, lead may be incorporated into plastic.⁸ Lead is used to soften plastic and make it more flexible, but when the plastic is exposed to sunlight, air, or detergents, the chemical bond between the lead and plastic breaks down, forming lead dust. Children can inhale or come in contact with this dust when they put toys in or near their mouths.⁹ Lead in toys continues to be an issue.

Federal Standards for Lead

With a few exceptions, federal law requires that all children's products manufactured after August 2011 contain no more than

100 parts per million (ppm) of total lead content in all accessible parts.¹⁰ The CPSC defines accessible parts as parts that a child could reach through “normal and reasonably foreseeable use and abuse of the product.”¹¹

- Paint or similar surface coatings on all children’s products are subject to a limit of 90 ppm of total lead. (Household paints are also subject to this rule.)
- Exceptions to these standards include metal components of bicycles, which cannot contain more than 300 ppm of lead. Components in electronic devices, some used children’s products, inaccessible parts, and other items are exempt from the lead standard.¹²

Note that these limits do not meet the recommendations of the American Academy of Pediatrics (AAP), which recommends that all products intended for use by children contain no more than trace amounts of lead, defined as 40 ppm, the high end of typical lead concentrations in uncontaminated soil.¹³

Phthalates

Phthalates are a group of chemicals used to soften and increase the flexibility of plastics like polyvinyl chloride (PVC), which is brittle in its original formulation. The plastics industry uses large amounts of phthalates in products such as home siding, flooring, furniture, food packaging, clothing, and toys. Phthalates are also commonly used in industrial products like solvents, lubricants, glue, paint, sealants, insecticides, detergent, and ink.¹⁴

Research has documented the potential damage of exposure to phthalates at crucial stages of development, including altered development of the male reproductive system and early puberty.¹⁵ At least one type

of phthalate is suspected of causing cancer.¹⁶ While the CPSC has not had a toy recall over the past year for excessive levels of phthalates, some retailers, such as national superstore brand Target, have taken action to eliminate PVC – and thus phthalates – from store-brand children’s products.¹⁷

Federal Standards for Phthalates

- The CPSIA banned three types of phthalates (DEHP, DBP and BBP) at levels greater than 1,000 ppm in the plasticized parts of child care articles and toys.
- The law also established an interim ban on three other types of phthalates (DINP, DIDP and DnOP) at levels greater than 1,000 ppm in plasticized parts of child care articles and children’s toys that can be placed in a child’s mouth.¹⁸

The ban is in effect while the CPSC studies these phthalates.¹⁹ Inaccessible parts of toys are not subject to the ban. In July 2014, a group of scientists appointed by the CPSC to a Chronic Hazard Advisory Panel on Phthalates and Phthalate Alternatives released recommendations for how the CPSC should proceed regarding phthalates covered by the interim ban, and phthalates in general. The panel recommended that the interim ban be lifted on two phthalates and that DINP be permanently banned. In addition, the panel advised the CPSC to add four other phthalates (DIBP, DPENP, DHEXP and DCHP) to its permanent ban.²⁰ In December 2014, the CPSC introduced a proposed rule to permanently prohibit children’s toys and child care articles that contain over 1,000 ppm of the phthalates DINP, DIBP, DPENP, DHEXP, and DCHP.²¹ Though unfinished, this rule represents an increasing awareness of the dangers of toxic chemicals in toys.

Choking Hazards

Small parts in toys, small balls, and balloons all present potential choking hazards. Choking is the leading form of toy-related death. From 2001 to 2014, 108 children died from choking on or asphyxiation by a play item.²² See Appendix 1. Toys containing small parts – for example, a miniature comb for a doll’s hair, or small, interlocking construction blocks – may present a choking hazard for children, especially those under the age of three. Younger children are at a stage of childhood development in which mouthing or biting objects is common, increasing the risk that a small toy or component will get lodged in the windpipe.

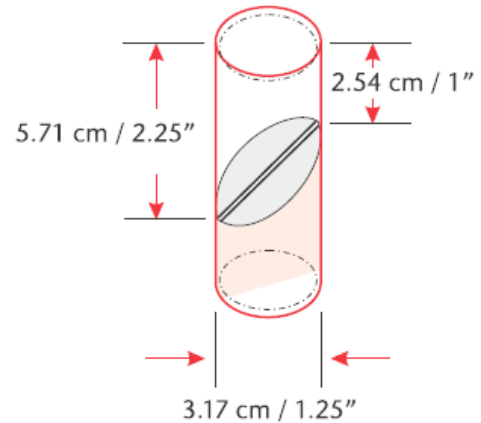
The CPSC defines a “small part” as anything that fits inside an official choke test cylinder, which has an interior diameter of 1.25 inches and a slanted bottom with a depth ranging from 1 to 2.25 inches (see Figure 1). This cylinder is the approximate size of the fully expanded throat of a child under the age of three. If a toy or part of a toy – including any part that breaks off or separates during “use and abuse” testing – fits inside the test cylinder, the product constitutes a choking hazard.²³

Federal Standards for Small Parts

- Federal law bans the sale of toys containing small parts if the toy is intended for use by children under the age of three.
- Toys with small parts intended for children between the ages of three and six years old must include the following explicit choke hazard warning:



Figure 1. Choke Test Cylinder



- Marbles, or toys containing marbles, as well as vending machines or toy bins selling products that may pose a choking hazard, are also required to post explicit warnings. The CPSC uses several factors to determine whether a toy is intended for children under three years old, including the manufacturer’s stated intent; age labeling on the product; the advertising and marketing of the product; and if the toy is “commonly recognized” as being intended for a child under three years. A number of items, such as crayons, chalk, modeling clay, and finger paints are exempt from the small parts regulation because they cannot be manufactured in a way that would prevent them from breaking into small parts when subjected to “use and abuse” testing. Children’s clothing and accessories such as shoe lace holders, diaper pins, and barrettes are also exempt because they need to be small to perform their intended purpose.

Small Balls

Since 1994, federal law has treated small balls in toys as a distinct choking hazard from small parts, one that is subject to more stringent standards. The law defines

a ball as “any spherical, ovoid, or ellipsoidal object designed or intended to be thrown, hit, kicked, rolled, dropped, or bounced.” In addition, the term “ball” includes any multisided object formed by connecting planes into a generally spherical, ovoid, or ellipsoidal shape that is designated or intended to be used as a ball.²⁸ As with small parts, the risk is particularly great for young children inclined to put objects in or near their mouths. Between 2001 and 2014, the most recent year for which data are available, small balls and marbles were responsible for 37 choking fatalities in children reported to the CPSC.²⁹ U.S. PIRG Education Fund believes that small balls are not the only round toys that are a choke hazard. We recommend that all round, ball-shaped toys pass not just the small parts test but the small ball test, too. Any small, rounded toy, such as items found in toy food sets, can choke a child.

Federal Standards for Small Balls

- Balls with a diameter of less than 1.75 inches (as opposed to small parts which must fit into a cylinder 1.25 inches across) are banned for children younger than three years of age.³⁰ Toys that are spherical or have spherical parts, but are not intended for use as a ball, do not have to meet this standard.
- Any small ball intended for children over the age of three must include the following warning:³¹



WARNING:

CHOKING HAZARD--This toy is a small ball.
Not for children under 3 yrs.

- A toy or game containing a small ball and intended for children between ages three and eight must include this warning:³²



WARNING:

CHOKING HAZARD--Toy contains a small ball.
Not for children under 3 yrs.

Balloons

Balloons pose the most serious choking hazard to children in the United States. They are responsible for more childhood deaths by suffocation than any other product. Children can suffocate on balloons by accidentally inhaling while attempting to inflate them, by inhaling uninflated balloons while sucking or chewing on them, or by inhaling pieces of broken balloons.³³ Between 2001 and 2014, the most recent year for which data are available, approximately 38 percent of all toy-related choking fatalities reported to the CPSC involved balloons.³⁴ Because balloons are intended for older children, and because of the risks inherent in inflating them, balloons present a serious choking hazard for children significantly older than the typical at-risk population for small parts and balls.

Federal Standards for Balloons

Balloon packages must display an explicit choke hazard warning. Due to the risk balloons pose even to older children, the warning must explain that the hazard applies to children younger than eight.³⁵

The required label is:



WARNING:

CHOKING HAZARD--Children under 8 yrs. can
choke or suffocate on uninflated or broken balloons.
Adult supervision required.

Keep uninflated balloons from children.
Discard broken balloons at once.

Magnets

Small, powerful magnets that rose to popularity in the mid-to-late 2000s have the potential to cause serious injury and even death due to complications arising from ingestion. These “rare-earth” magnets are much more powerful than refrigerator magnets. Such magnets are used in various types of toys including construction sets, puzzles, toy jewelry, action figures, board games, and train sets. They are also common in novelty items containing hundreds of small magnetic pieces and previously marketed at adults as sculpture kits, desk toys, or stress relievers. “Buckyballs” – the subject of a recall ordered by the CPSC – are perhaps the most well-known example of such a product, with hundreds of small, spherical magnets, each much smaller than a marble, closer in size to a BB pellet.

Despite being marketed as a desk toy for adults, incidents reported to the CPSC made clear that children were nonetheless suffering serious injury after swallowing these magnets, highlighting the risk posed by adult novelty items even with appropriate warning labels.³⁶ What makes these adult magnet sets so dangerous is that their numerous magnets are easy to lose track of and the products themselves are inherently appealing to children. While very young children may mistake component magnets for candy, older children and young adolescents may use pairs of magnets to imitate facial or tongue piercings, thus putting magnets in a position to be accidentally inhaled or swallowed.³⁷ Once in the digestive system, a single magnet may pass through the body without incident. If two or more magnets are swallowed, however, their attractive forces can pull them toward each other, causing obstructions or pinching, or trapping intestinal walls or

other digestive tissue.³⁸ In extreme cases, the magnetic attraction can perforate intestinal walls. In 2013, a 19-month old girl died after seven small magnetic balls perforated her bowel, leading to infection.³⁹ Even non-fatal magnet-related injuries are severe. Nearly 80 percent of high-powered magnet ingestions require invasive medical intervention, either through an endoscopy, surgery, or both. In comparison, only 10 to 20 percent of other foreign body ingestions require endoscopic intervention and almost none require surgery.⁴⁰ Between 2009 and 2013, the CPSC estimates that high-powered magnets caused approximately 2,900 emergency room-treated injuries.⁴¹ A recently published study of magnet-caused injuries at one large pediatric hospital found a significant increase in their incidence between 2002 and 2012.⁴² Since 2015, the CPSC has recalled three toys for magnet hazards. We purchased one such toy, a pencil box, online for this report.

Federal Standards for Magnets

- In September 2014, the CPSC adopted a new rule that powerful magnets, whether sold in sets or individually, must be too large to fit into the official small parts cylinder used by the CPSC to determine choke hazards (see “Choking Hazards” section). Magnets that fit into a choke tube and that exceed the CPSC’s magnetic flux standards are banned for sale. The ban on small, high-powered magnet sets took effect on April 1, 2015.
- The separate ASTM F963 standard for toys bans loose magnets or magnetic components in toys for children under the age of 14. There is an exception for magnets included in certain “hobby, craft, and science kit-type items” intended for children age eight years and

older, provided the products comply with special magnet hazard disclosure requirements. The severity of injuries caused by small, high-powered magnets led to the CPSC's ban. In 2012, the CPSC sued several manufacturers of small, powerful magnets to stop the distribution of Buckyballs and similar products. The lawsuits argued that warning labels had been ineffective in preventing injuries to children. All but one of the manufacturers had settled with the CPSC by the summer of 2014 and agreed to recall their products. The CPSC subsequently issued its ban on all similar products because of the risk of injury and death they present.

Excessive Noise

Excessive noise can be harmful; damaging the inner ear and causing hearing loss. Sounds can cause harm by being too loud even for a short period of time, or by being loud over an extended timeframe. Hearing loss from excessive noise exposure is common in the U.S., even for the young. Sixteen percent of teens aged 12 to 19 years have some self-reported hearing loss for which loud noise could be responsible.⁴⁶ A 1998 study of children in a wider age range found approximately 15 percent of children between ages six and 17 showed signs of hearing loss.⁴⁷

While the CPSC has not recalled a toy over the past year for noise hazards, excessive noise in toys is of concern because children have the most to lose from hearing loss. Loss of hearing at an early age can affect a child's ability to learn vocabulary, grammar, idiomatic expressions, and other aspects of verbal communication.⁴⁸ This could have consequences for their educational attainment and social and professional success later in life.

Federal Standards for Noise Levels

Noise standards have improved in recent years. Toy manufacturers were not required to follow sound standard guidelines until 2009 when federal law gave the CPSC authority to enforce voluntary standards contained in the comprehensive ASTM F963 toy standard.⁴⁹

- Hand-held, tabletop, floor, and crib toys producing continuous sound cannot do so in excess of 85 decibels when measured from approximately 20 inches.
- Close-to-the-ear toys must adhere to a continuous sound limit of 65 decibels when measured from approximately 20 inches.
- Close-to-the-ear toys are subject to a limit of 96 decibels for bursts of noise when measured from approximately 20 inches.
- All other toys are subject to a limit of 115 decibels for bursts of noise, except toys using an explosive action or percussion cap, which are limited to 125 decibels. As with all sound standards, these are noise levels as measured at approximately 20 inches.

Overheating of Batteries and Chargers

In the United States, burns and fires are leading causes for unintentional deaths and injuries to children.⁵¹ From January 2015 to October 2016, the CPSC recalled four toys due to overheating which can lead to fire and burn hazards.⁵² One of the most well-known recalls over the past year were hover boards, with over 500,000 units recalled in July 2016. Certain models contained lithium-ion battery packs that could overheat, which could lead to the products smoking, catching fire, or even exploding.⁵³

Recommendations

Policymakers should continue building upon recent progress in the strengthening of toy safety standards.

- Maintain the CPSC's funding and authorities to protect the public; and
- Understand that regulations protect health and safety.

The CPSC should improve recall effectiveness:

- Engage in efforts to increase consumer and researcher awareness of the public hazard database SaferProducts.gov;
- Aggressively seek to increase recall effectiveness by making sellers agree to conduct more effective outreach campaigns that stress the real hazard posed, rather than simply promote the purported good will of the firm;
- Perform regular online sweeps checking for the availability of previously-recalled toys; and
- Hold companies reselling recalled products accountable, which also sends a message to others.

The CPSC should continue to enforce and improve strong safety standards:

- Continue to vigorously enforce the Consumer Product Safety Improvement Act's mandatory standards for toys, including strict limits on lead and lead paint in any toys, jewelry or other articles for children under 12 years;
- Vigorously enforce the Consumer Product Safety Improvement Act's permanent ban on the use of three specific phthalates in all toys and children's products;
- Enlarge the small parts test tube to be more protective of children under three;
- Change the small-ball rule to include small round or semi-round objects, and not just "balls" in the strictest definition, since these toys pose the same hazards as small balls (this is especially true of rounded toy food, since it is "intended" to be eaten);
- Enforce the use of the United States' statutory choke hazard warning label, as many toys now are wrongly labeled with less explicit foreign warnings; and
- Continue to enforce CPSC rules requiring online warning labels.

Parents and caregivers can also take steps to protect children from potential hazards. We recommend that parents:

- Subscribe to email recall updates from the CPSC and other U.S. government safety agencies available at www.recalls.gov;
- Shop with U.S. PIRG Education Fund's Toy Safety Tips, available at toysafetytips.org;
- Examine toys carefully for hazards before purchase – and don't trust that they are safe just because they are on a store shelf. Check the CPSC recall database at CPSC.gov before buying toys online;
- Report unsafe toys or toy-related injuries to the CPSC at Saferproducts.gov;
- Remember, toys on our list are presented as examples of previously recalled toys only. Other hazards may exist;
- Review the recalled toys list in this report and compare it to toys in your children's toy boxes; and
- Put small parts, or toys broken into small parts, out of reach. Regularly check that toys appropriate for your older children are not left within reach of children who still put things in their mouths.

Methodology

We generated the list of recalled toys from the Consumer Product Safety Commission's database of recalled toys.⁵⁴ We searched for recalled products from January 2015 to October 2016 and identified items that could be toys if they are meant for use by children or would be gifted to children.

We then looked for the toys through online vendors by searching for them on Internet stores and websites. We provided the CPSC with a list of all online vendors to investigate further. For the toys we were able to buy, we checked the products to determine if they appeared to be part of the recalled batch and similarly notified the CPSC.

CPSC-Recalled Toys from January 2015 to October 2016

Name of Toy	Tough Treadz Auto Carrier
Company	Family Dollar Stores
Original Dates of Sale	September 2014-December 2014
Original Price before Recall	\$5
Why Toy is a Hazard	The die-cast metal cars can have sharp edges that pose a laceration hazard.
Remedy	Consumers should immediately stop using the recalled toy sets, take them away and return them to any Family Dollar Stores location for a full refund.
How to Tell if Your Toy Might Have Been Recalled	The UPC code appears on a label on the back stating "Made in China." The following UPC codes are included in this recall: 678565114083, 678565114090, 678565114106.
CPSC Recall Website	https://www.cpsc.gov/Recalls/2015/Family-Dollar-Stores-Recall-Tough-Treadz-Auto-Carrier-Toy-Sets
Recall Date	2/4/2015
Number of Units Recalled	254,000
Appeared to Be For Sale Online?	No



Name of Toy	Airplane and butterfly push toys
Importer	LS Import Inc. of Houston, TX
Original Dates of Sale	May 2014-July 2014
Original Price Before Recall	\$1-\$2
Why Toy is a Hazard	The wheels of the airplane and the balls at the tip of the butterfly's antenna can detach, posing a choking hazard to young children.
Remedy	Consumers should immediately take the recalled toys away from children and contact LS Import for a full refund.
How to Tell if Your Toy Might Have Been Recalled	The airplane push toy is red and has a blue, yellow and red rotor above the cockpit's canopy and eyelids on the nose of the airplane that open and shut when the toy is been pushed on the floor. The airplane push toy has a pink plastic rod with a handle that connects to the back of the toy to push it. The butterfly push toy's body is yellow with pink wings and has a pink plastic ball at the end of each of two antennas and a pair of wings that flap up and down when the toy is been pushed on the floor. The butterfly push toy has a green plastic rod with a handle that connects to the back of the toy to push it.
CPSC Recall Website	https://www.cpsc.gov/Recalls/2015/Airplane-and-Butterfly-Push-Toys-Recalled-by-LS-Import
Recall Date	2/5/2015
Number of Units Recalled	660
Appeared to Be For Sale Online?	No



Name of Toy	2014 MBX 50 and Tiny Trail Bicycles
Manufacturer	Marin Bikes, CA
Original Dates of Sale	September 2013-December 2014
Original Price Before Recall	\$250
Why Toy is a Hazard	The handlebars can loosen or separate during use. This can cause the rider to lose control and/or crash, posing the risk of injury.
Remedy	Consumers should immediately stop using the recalled bicycle and contact Marin for a replacement handlebar stem.
How to Tell if Your Toy Might Have Been Recalled	The boy's bicycles were sold in red and have serial number HA14980XXXXXX. The girl's bicycles were sold in purple and have serial number HA14982XXXXXX. Serial numbers are printed on a foil label affixed to the underside of the base of the down tube.
CPSC Recall Website	https://www.cpsc.gov/Recalls/2015/Marin-Mountain-Bikes-Recalls-Childrens-Bicycles
Recall Date	2/10/2015
Number of Units Recalled	400
Appeared to Be For Sale Online?	Toy appears to still be for sale online, and we have notified the CPSC.



Name of Toy	Wheelies semi-truck with six motorcycles and push-along motorcycle with rider
Manufacturer	ShanTou MeiTian Trading Co, Ltd, AmerEuro Trading Limited
Importer	Cycle Gear Inc., of Benicia, CA
Original Dates of Sale	November 2014 - December 2014
Original Price Before Recall	\$10 for Motorcycle, \$20 for Truck
Why Toy is a Hazard	The toys contain excessive levels of lead, which is a violation of the federal standard for lead content.
Remedy	Consumers should immediately take away from children and stop using the recalled toys and contact Cycle Gear Inc. for a full refund. Cycle Gear Inc. is contacting consumers directly.
How to Tell if Your Toy Might Have Been Recalled	The truck has the item number Item # TAG66767 and SKU# 752249 printed on the packaging. The Wheelies push-along motorcycle is red with a rider in black with silver accents. The product has item # TBG04323 and SKU# 752251 printed on the package.
CPSC Recall Website	https://www.cpsc.gov/Recalls/2015/Cycle-Gear-Recalls-Semi-Truck-and-Motorcycle-Toys
Recall Date	4/15/2015
Number of Units Recalled	155
Appeared to Be For Sale Online?	No



Name of Toy	Police Press and Go Toy Vehicles
Importer	Schylling Inc. of Rowley, MA.
Original Dates of Sale	April 2010- April 2015
Original Price Before Recall	\$5
Why Toy is a Hazard	The hat can detach from the policeman's head and pose a choking hazard to young children.
Remedy	Consumers should immediately take the recalled toy vehicles away from children and contact Schylling for a full refund.
How to Tell if Your Toy Might Have Been Recalled	The toy vehicles measure about 2.5 inches wide by 3.5 inches long by 3.5 inches tall. "Schylling Rowley, MA" and UPC number "01964922782" are printed on the bottom of the toy cars.
CPSC Recall Website	https://www.cpsc.gov/Recalls/2015/Schylling-Recalls-Toy-Police-Cars
Recall Date	5/12/2015
Number of Units Recalled	13,200
Appeared to Be For Sale Online?	No



Name of Toy	Bud and Skipit Wheely Cute Pull Toys
Importer	Bunnies by the Bay of East Windsor, N.J.
Original Dates of Sale	February 2015 - April 2015
Original Price Before Recall	\$30
Why Toy is a Hazard	Hub caps on the wheels can break or come off the wheel, posing a choking hazard for young children.
Remedy	Consumers should take the toys away from young children immediately and return the item to where it was purchased for a full refund.
How to Tell if Your Toy Might Have Been Recalled	Lot code YM5/14 is on the label sewn on the back leg of each toy. The item number for Bud Wheely Cute Toy, found on the lower right-hand corner of the original packing, is #401101. The item number for Skipit Wheely Cute Toy is #401103.
CPSC Recall Website	https://www.cpsc.gov/Recalls/2015/Bunnies-by-the-Bay-Recalls-Pull-Toys
Recall Date	6/16/2015
Number of Units Recalled	800
Appeared to Be For Sale Online?	Toy appears to still be for sale online, and we have notified the CPSC.



Name of Toy	Little Digger Toy
Manufacturer	Intradin Import & Export Co., Ltd., of Shanghai, China
Importer	Northern Tool + Equipment Company, Inc. of Fredericksburg, Va.
Original Dates of Sale	August 2014 – June 2015
Original Price before Recall	\$30
Why Toy is a Hazard	The red paint on the Little Digger toy frame contains excessive levels of lead, which is prohibited under federal law.
Remedy	Consumers should immediately stop using the Little Digger Toy, put it out of reach of children and contact the firm for a full refund.
How to Tell if Your Toy Might Have Been Recalled	It has a manufacture date of August 2014 through June 2015. Wel-Bilt is printed on the front of the bucket and the manufacture date is written on the tracking label located on the bucket. The item number #28303 is printed only on the toy's packaging
CPSC Recall Website	https://www.cpsc.gov/Recalls/2015/Northern-Tool-and-Equipment-Recalls-Little-Digger-Toy
Recall Date	6/25/2015
Number of Units Recalled	7,000
Appeared to Be For Sale Online?	No



Name of Toy	My Snuggly Ellie Activity Toys
Importer	Manhattan Group LLC, of Minneapolis, Minn.
Original Dates of Sale	February 2014 - May 2015
Original Price before Recall	\$10
Why Toy is a Hazard	The wooden ring can break into small pieces, posing a choking hazard to young children.
Remedy	Consumers should immediately take the toy away from young children and return the toy to where it was purchased for a full refund.
How to Tell if Your Toy Might Have Been Recalled	The item number is 212520 and can be found on the small white tag sewn into the bottom of the toy.
CPSC Recall Website	https://www.cpsc.gov/Recalls/2015/Manhattan-Group-Recalls-Childrens-Elephant-Activity-Toys
Recall Date	8/4/2015
Number of Units Recalled	2,700
Appeared to Be For Sale Online?	No



Name of Toy	MZB Children's "Light Up" Watches
Importer	MZB, of Long Island City, N.Y.
Original Dates of Sale	October 2012 - June 2015
Original Price before Recall	\$5-\$20
Why Toy is a Hazard	The case-back of the watch can detach and expose the interior to water, posing a risk of skin irritation, redness, rashes or chemical burns.
Remedy	Consumers should immediately take the recalled watches away from children and contact MZB for a refund.
How to Tell if Your Toy Might Have Been Recalled	A complete list of the serial numbers is listed on the firm's website www.regcen.com .
CPSC Recall Website	https://www.cpsc.gov/Recalls/2015/MZB-Recalls-Childrens-Watches
Recall Date	8/5/2015
Number of Units Recalled	1,900,000
Appeared to Be For Sale Online?	Toy appears to still be for sale online, and we have notified the CPSC.



Name of Toy	Gadget Pencil Cases
Importer	Disney Store USA, LLC, of Pasadena, CA.
Original Dates of Sale	June 2015
Original Price before Recall	\$15
Why Toy is a Hazard	The two magnets holding the pencil case lid closed can detach, posing an ingestion hazard. When these two magnets are swallowed, they can link together inside a child's intestines and result in serious internal injuries.
Remedy	Consumers should immediately take the recalled pencil cases away from children and contact Disney Stores to receive a full refund.
How to Tell if Your Toy Might Have Been Recalled	While no product number is provided on the CPSC recall website, the lid contains two 9/2016 inch by 1/2016 inch by 1/8 inch magnets on the lid which easily fall off.
CPSC Recall Website	https://www.cpsc.gov/Recalls/2015/Disney-Store-Recalls-Pencil-Cases
Recall Date	8/5/2015
Number of Units Recalled	300
Appeared to Be For Sale Online?	We purchased toys that had loose magnets, and have notified the CPSC.



Name of Toy	Pink Giraffe Animal Purse
Manufacturer	Wan Le Xiang Bao Shang hang, of Yiwu, China
Importer	Imagine Nation Books, of Louisville, Colo.
Original Dates of Sale	July 2014 -March 2015
Original Price before Recall	\$5-\$6
Why Toy is a Hazard	The red paint on the zipper contains excessive levels of lead, violating the federal lead paint standard.
Remedy	Consumers should immediately take these recalled purses away from young children and contact Imagine Nation Books for instructions on returning the purse for a full refund.
How to Tell if Your Toy Might Have Been Recalled	The purse looks like a pink stuffed animal giraffe with brown spots and brown feet and a red zipper down the center of the back. There is a sewn-in tag inside the zipper pouch that reads "MADE IN CHINA." A hang-tag attached to the purse has "JEWELRY is fun, LEAD COMPLIANT" on the front and "WARNING: Not for Children under 3 years old", "www.jewelryisfun.com" and item number "CHJF10032AST" on the back. No other color combinations are included in this recall.
CPSC Recall Website	https://www.cpsc.gov/Recalls/2015/Imagine-Nation-Books-Recalls-Pink-Giraffe-Animal-Purse
Recall Date	9/2/2015
Number of Units Recalled	630
Appeared to Be For Sale Online?	No



Name of Toy	Sardines Fishing Game and Starfish Fishing Game
Importer	Juratoys U.S. of Fort Lauderdale, Fla.
Original Dates of Sale	April 2015 - August 2015
Original Price before Recall	\$15-\$20
Why Toy is a Hazard	The plastic worm at the end of the fishing pole line can separate, producing small parts that pose a choking hazard to children. Additionally, the small magnet inside the worm can liberate. Swallowing multiple magnets can result in serious internal injury.
Remedy	Consumers should immediately stop using the recalled games and keep them out of the reach of young children. Consumers should contact Juratoys for a prepaid shipping envelope to return the game. Juratoys will then send a \$15 refund check for the Sardines game and a \$20 refund check for the Starfish game. Consumers who paid more should include a receipt in the return to receive a full refund.
How to Tell if Your Toy Might Have Been Recalled	The Sardine fishing game has a red and white sardine with a yellow eye painted on a sardine-shaped tin and has product number J08152 printed on the bottom of the container at the tail, and on the back of one of the fish pieces. The Starfish fishing game has an orange starfish painted on a starfish-shaped tin with a product number J08153 printed on the bottom of the container and on the back of one of the fish pieces.
CPSC Recall Website	https://www.cpsc.gov/Recalls/2015/Juratoys-Recalls-Fishing-Games
Recall Date	9/10/2015
Number of Units Recalled	14,000
Appeared to Be For Sale Online?	No



Name of Toy	Pacifier clips
Importer	Chewbeads, of New York, N.Y.
Original Dates of Sale	September 2014 - June 2015
Original Price before Recall	\$16.50 for baseball themed clips, \$15 for other styles
Why Toy is a Hazard	The "D" ring on the pacifier clip can break, allowing beads to detach, posing a choking hazard.
Remedy	Consumers should immediately take these recalled pacifier clips away from young children and contact Chewbeads for a free replacement pacifier clip or a refund of the purchase price.
How to Tell if Your Toy Might Have Been Recalled	The garment clip has the following number code on the back of the plastic clip: 3/31/14, 08/08/14, 12/01/14, 14/30/09, 15/02/09, 25/04/14.
CPSC Recall Website	https://www.cpsc.gov/Recalls/2015/Chewbeads-Recalls-Pacifier-Clips
Recall Date	9/29/2015
Number of Units Recalled	45,000



Name of Toy	Starbrights Dragon stuffed animals
Importer	Build-A-Bear Workshop Inc, of St. Louis, Mo.
Original Dates of Sale	April 2015 and August 2015
Original Price before Recall	\$25
Why Toy is a Hazard	The satin seam of the stuffed animal can open, allowing the stuffing material to be exposed, posing a choking hazard for young children.
Remedy	Consumers should immediately take the recalled stuffed animal away from children and return it to any Build-A-Bear Workshop store to receive a coupon for any Build-A-Bear stuffed animal.
How to Tell if Your Toy Might Have Been Recalled	The tracking label ending with 9333 or 9334 for USA and 9337 or 9459 for Canada can be found on the label sewn on the backside of the leg.
CPSC Recall Website	https://www.cpsc.gov/Recalls/2016/Build-A-Bear-Recalls-Stuffed-Animals
Recall Date	10/22/2015
Number of Units Recalled	33,600
Appeared to Be For Sale Online?	No



Name of Toy	Peanuts Flying Ace Ride-On Toys
Manufacturer	LaRose Industries, of Randolph, N.J.
Original Dates of Sale	July 2015 - August 2015
Original Price before Recall	\$40
Why Toy is a Hazard	The toy's blue hubcaps can detach from the wheel's axle, posing a choking hazard to young children.
Remedy	Consumers should immediately take the recalled ride-on toys away from children and return the product to any Target store for a full refund.
How to Tell if Your Toy Might Have Been Recalled	A hang tag attached to the product at purchase has "#38126" printed on it and one of the following date codes: <ul style="list-style-type: none"> • BCHTAR616A13-0515 • BCHTAR614A13-0515 • BCHTAR615A11-0515 • BCHTAR684A20-0515 • BCHTAR682A05-0615
CPSC Recall Website	https://www.cpsc.gov/Recalls/2016/LaRose-Industries-Recalls-Peanuts-Flying-Ace-Ride-On-Toys
Recall Date	10/27/2015
Number of Units Recalled	11,000



Name of Toy	Avengers and Darth Vader Themed Water Bottles
Manufacturer	Amax Enterprises (HK) Limited, of China
Importer	Pottery Barn Kids, of San Francisco, Calif.
Original Dates of Sale	June 2014 - September 2015
Original Price before Recall	\$16
Why Toy is a Hazard	The gray paint on the metal portion of the water bottle can contain excessive levels of lead, violating the federal lead paint standard.
Remedy	Consumers should immediately take the recalled water bottles from children and return them to the nearest Pottery Barn Kids store or contact the firm's toll-free number for free shipping information. Consumers will have the option of a full refund or replacement water bottle, plus a \$20 Pottery Barn Kids gift card.
How to Tell if Your Toy Might Have Been Recalled	SKU number 7939721 (Avengers) or 7939721 (Darth Vader) is printed on the price sticker affixed to the bottom of the bottle, along with one of the following date codes: 12/2013, 8/2014 or 12/2014. A tracking label imprinted on the underside of the bottle contains the date code printed along with the words, "Pottery Barn Kids," "LOT 1, BATCH 1" and "JINHUA, CHINA."
CPSC Recall Website	https://www.cpsc.gov/Recalls/2016/Pottery-Barn-Kids-Recalls-Avengers-and-Darth-Vader-Water-Bottles
Recall Date	10/28/2015
Number of Units Recalled	15,200



Name of Toy	Bueno by Contigo Kids Straw Tumblers
Manufacturer	Ignite USA LLC, of Atlanta, Ga.
Original Dates of Sale	May 2015 - September 2015
Original Price before Recall	\$6
Why Toy is a Hazard	If a child chews on the drinking straw, small pieces can break off into the child's mouth, posing a risk of ingestion or aspiration of the small part.
Remedy	Consumers should immediately take the recalled tumblers from children and contact Ignite for a full refund.
How to Tell if Your Toy Might Have Been Recalled	All cups have the number "036201" engraved on the bottom. Model numbers and styles included in the recall are: 71591/71844, 71592/71842, 71593/71841, 71594/71843, 71596, 71597, 71602, 71603
CPSC Recall Website	https://www.cpsc.gov/Recalls/2016/Ignite-Recalls-Kids-Straw-Tumblers
Recall Date	11/10/2015
Number of Units Recalled	130,000
Appeared to Be For Sale Online?	No



Name of Toy	Ace Bayou Bean Bag Chairs
Manufacturer	Ace Bayou Corp., of New Orleans, La.
Original Dates of Sale	1995 to 2013
Original Price before Recall	\$30- \$100
Why Toy is a Hazard	The zippers on the bean bag chairs can be opened by children who can then crawl inside, get trapped and suffocate or choke on the bean bag chair's foam beads.
Remedy	If it does not have a metal staple, take the recalled bean bag chair away from children immediately and contact Ace Bayou for the free repair kit to permanently disable the zipper.
How to Tell if Your Toy Might Have Been Recalled	Consumers should check the outside zipper on their bean bag chair to ensure that it has a metal staple to disable the outer zipper.
CPSC Recall Website	https://www.cpsc.gov/Recalls/2016/Ace-Bayou-Reannounces-Recall-of-Bean-Bag-Chairs
Recall Date	12/17/2015
Number of Units Recalled	2,200,000



Name of Toy	LATTJO Tongue drums and LATTJO Drumstick sets
Importer	IKEA North America Services LLC, of Conshohocken, Pa.
Original Dates of Sale	November 2015 - December 2015
Original Price before Recall	\$10- \$15
Why Toy is a Hazard	The rubber ball on the drumsticks can detach or be unscrewed, posing a choking hazard.
Remedy	Consumers should immediately take the recalled drum and drumstick sets away from children and return them to IKEA for a full refund.
How to Tell if Your Toy Might Have Been Recalled	The LATTJO Tongue Drum is a solid birch rectangular-shaped drum with a turquoise-dot print on the front and two solid red circles on top. The drum measures about 8 inches long by 2-3/4 inches wide by 2-3/4 inches deep. The drum comes with a seven inch mallet with a turquoise painted handle and black rubber ball on the end. IKEA and LATTJO are printed on a label on the bottom of the drum. The LATTJO Drumstick set includes two solid birch drumsticks, two brushes and two mallet-type drumsticks with black rubber balls on the ends. The set was sold in a turquoise polyester roll-up pouch with a red and white striped fabric panel in the center. The pouch measures about 15 inches long by 10 inches wide. IKEA and LATTJO was printed on a label attached to the pouch.
CPSC Recall Website	https://www.cpsc.gov/Recalls/2016/IKEA-Recalls-Toy-Drums-and-Drumstick-Sets
Recall Date	1/14/2016
Number of Units Recalled	3,300
Appeared to Be For Sale Online?	No



Name of Toy	Chillafish Children's Bikes
Company	The Chillafish Company
Importers	Mindware Corp., of Omaha, Neb., Northwest Synergy, of Redmond, Wash. and Wal-Mart Stores, of Bentonville, Ark.
Original Dates of Sale	November 2013 - November 2015
Original Price before Recall	\$55- \$80
Why Toy is a Hazard	Overinflated tires can cause the wheel rims to crack and send pieces of the plastic rim flying, posing a laceration hazard to consumers.
Remedy	Consumers should immediately stop children from using the recalled bikes until the tires are deflated to a pressure at or below 32 psi and contact Chillafish for a free repair. Chillafish is contacting consumers directly.
How to Tell if Your Toy Might Have Been Recalled	BMXie bikes were sold in the colors blue, lime green, pink, red and yellow. Item reference number CPMX01BLU, CPMX01LIM, CPMX01PIN, CPMX01RED or CPMX01YEL is on a label on the bottom of the bike frame. Jack and Josie bikes have steel frames. The bikes are about 34 inches long with a seat that can be adjusted from about 14 inches high to about 17 inches high. Jack bikes were sold in a black and orange color scheme with flames on the crosstube and item reference number CPJJ02BLA on a label on the bottom of the bike frame. Josie bikes were sold in a white and pink color scheme with flowers on the crosstube and item reference number CPJJ02WHI on a label on the bottom of the bike frame.
CPSC Recall Website	https://www.cpsc.gov/Recalls/2016/Chillafish-Recalls-Childrens-Balance-Bikes
Recall Date	1/21/2016
Number of Units Recalled	29,000



Name of Toy	Wedgwood Peter Rabbit Decorative Baby Rattles
Importer	WWRD U.S. LLC, of Wall, N.J.
Original Dates of Sale	April 2015 - December 2015
Original Price before Recall	\$79- \$95
Why Toy is a Hazard	The ball bearings inside each side of the decorative rattle can be released, posing a choking hazard to young children.
Remedy	Consumers should immediately stop using the decorative rattles and take them away from young children and contact WWRD for a full refund.
How to Tell if Your Toy Might Have Been Recalled	A Peter Rabbit figure and "hop hop hop" underneath are embossed on one end cap and "hop little rabbit" over the Peter Rabbit figure is embossed on the other end cap.
CPSC Recall Website	https://www.cpsc.gov/Recalls/2016/Wedgwood-Decorative-Baby-Rattles-Recalled-by-WWRD
Recall Date	2/4/2016
Number of Units Recalled	670



Name of Toy	Remote Control Toy Excavator and Remote Control Shovel Loader
Importer and Distributer	Dollar General Corp., of Goodlettsville, Tenn.
Original Dates of Sale	July 2015 - December 2015
Original Price before Recall	\$10
Why Toy is a Hazard	The toy truck's remote control can short circuit, causing it to overheat and posing fire and burn hazards.
Remedy	Consumers should immediately take the recalled toy vehicles away from children and contact Dollar General for a full refund.
How to Tell if Your Toy Might Have Been Recalled	This recall involves a toy excavator and a shovel loader. The remote controlled plastic toys are orange with black and orange wheels. Both have tracking code 90RWE15 marked on the back of the battery compartment. UPC number 00430000549030 can be found on the bottom of the packaging. Power, Shovel Loader and Super Power are printed on stickers located on the side of the excavator. UPC 00400001622537 can be found on the bottom of the packaging. 6000Kg Peakload, FL-330 Deluxe Crane, and Crane Super Truck are printed on stickers located on the side of the shovel loader.
CPSC Recall Website	https://www.cpsc.gov/Recalls/2016/Dollar-General-Recalls-Construction-Truck-Toy-Vehicles
Recall Date	2/4/2016
Number of Units Recalled	27,000
Appeared to Be For Sale Online?	No



Name of Toy	Green Tones Monkey Glockenspiel
Importer	KHS America of Mt. Juliet, Tenn.
Original Dates of Sale	January 2015 - September 2015
Original Price before Recall	\$40
Why Toy is a Hazard	The pink metal note bar on the glockenspiel may contain excessive levels of lead in the paint, violating the federal lead paint standard. If the paint is scraped off and ingested lead can cause adverse health effects.
Remedy	Consumers should immediately remove the pink bar from the glockenspiel and contact KHS America for information on getting a free replacement pink bar.
How to Tell if Your Toy Might Have Been Recalled	The Green Tones logo is stamped on the back of the glockenspiel and the tracking number HS0178410914 is printed in black at the bottom.
CPSC Recall Website	https://www.cpsc.gov/Recalls/2016/KHS-America-Recalls-Childrens-Musical-Instrument
Recall Date	2/4/2016
Number of Units Recalled	150
Appeared to Be For Sale Online?	We purchased toys with the recalled tracking number, and have notified the CPSC.



Name of Toy	Busy Loops Table Top Toys
Importer and Distributer	The Manhattan Toy Company, of Minneapolis
Original Dates of Sale	September 2015 - January 2016
Original Price before Recall	\$15
Why Toy is a Hazard	The round plastic beads can break, posing a choking hazard.
Remedy	Consumers should immediately stop using the recalled toy and return it to the store where it was purchased or contact Manhattan Toy for a full refund.
How to Tell if Your Toy Might Have Been Recalled	The model number 700470 and lot code FH are printed on the bottom of the blue base.
CPSC Recall Website	https://www.cpsc.gov/Recalls/2016/Manhattan-Toy-Recalls-Table-Top-Toys
Recall Date	3/31/2016
Number of Units Recalled	2,100
Appeared to Be For Sale Online?	No



Name of Toy	Children's LATTJO Bat Cape Costumes
Manufacturer	IKEA North America, of Conshohocken, Pa.
Original Dates of Sale	November 2015 - February 2016
Original Price before Recall	\$13
Why Toy is a Hazard	The fabric hook and loop fastener at the neck of the bat cape can fail to detach readily during use, posing a strangulation hazard to children.
Remedy	Consumers should immediately take the recalled bat capes away from children and return the capes to any IKEA store for a full refund.
How to Tell if Your Toy Might Have Been Recalled	IKEA, LATTJO and numbers 60311650 and 18937 are printed on a white label sewn into the seam of the cape.
CPSC Recall Website	https://www.cpsc.gov/Recalls/2016/IKEA-Recalls-Childrens-Bat-Cape-Costumes
Recall Date	4/7/2016
Number of Units Recalled	11,000
Appeared to Be For Sale Online?	No



Name of Toy	Moogy Plush Toys
Importer and Distributer	Miniland Educational Corp., of Miami, Fla.
Original Dates of Sale	July 2015 - February 2016
Original Price before Recall	\$33
Why Toy is a Hazard	The red button on the Moogy plush toy's left pocket and the snap button on the right pocket can detach, posing a choking hazard to young children.
Remedy	Consumers should immediately take the recalled toy away from children and contact Miniland Educational for instructions on destroying and disposing of the Moogy in order to receive a full refund.
How to Tell if Your Toy Might Have Been Recalled	The CPSC recall website does not provide a model number, but this toy was originally sold at specialty toy stores nationwide and online at Amazon.com, Gilt.com, HighlightsforChildren.com, ToysRUs.com and Zulily.com from July 2015 through February 2016.
CPSC Recall Website	https://www.cpsc.gov/Recalls/2016/Miniland-Educational-Recalls-Moogy-Plush-Toys
Recall Date	4/15/2016
Number of Units Recalled	2,000
Appeared to Be For Sale Online?	No



Name of Toy	Wooden Twist & Lock Blocks and Giraffes
Importer and Distributer	Flying Tiger Copenhagen, of New York
Original Dates of Sale	November 2015 - December 2015
Original Price before Recall	\$3
Why Toy is a Hazard	Parts of the wooden toys can become detached, resulting in small pieces that can pose a choking hazard to young children.
Remedy	Consumers should immediately take the recalled toys from young children and return the products to Flying Tiger Copenhagen for a full refund.
How to Tell if Your Toy Might Have Been Recalled	Item numbers 1701354 and 1701493.
CPSC Recall Website	https://www.cpsc.gov/Recalls/2016/Flying-Tiger-Copenhagen-Recalls-Wooden-Toys
Recall Date	4/19/2016
Number of Units Recalled	1,000
Appeared to Be For Sale Online?	No



Name of Toy	Little Wishes Chenille Stuffed Rattles
Importer	Hobby Lobby Stores Inc., of Oklahoma City, Okla.
Original Dates of Sale	January 2016 - April 2016
Original Price before Recall	\$7
Why Toy is a Hazard	The rattle seams can separate, exposing the fiber stuffing and bell rattle, posing a choking hazard.
Remedy	Consumers should immediately stop using the recalled rattles and return them to the nearest Hobby Lobby store for a full refund or store credit.
How to Tell if Your Toy Might Have Been Recalled	This recall involves Little Wishes Chenille Stuffed Rattles, including the Pink & Green Fish rattles, item number 5141577, and the Blue & Yellow Fish rattles, item number 5127642. The rattles are made of a soft chenille fabric with a fiber stuffing. They are 8.5 inches by 7 inches and have a hole cut out in the middle. The item number is printed on the top left corner of the product hang tag. Rattles have a sewn-in label with "Reg. No. PA-15130(CN)" and "Hobby Lobby 9123069" printed on the front of the label.
CPSC Recall Website	https://www.cpsc.gov/Recalls/2016/Hobby-Lobby-Recalls-Infant-Rattles
Recall Date	5/12/2016
Number of Units Recalled	14,400
Appeared to Be For Sale Online?	No



Name of Toy	Little Wishes Summer Plush Pacifier Holders
Importer	Hobby Lobby Stores Inc., of Oklahoma City, Okla.
Original Dates of Sale	January 2016 - April 2016
Original Price before Recall	\$5
Why Toy is a Hazard	The fin of the whale and the head of the octopus can detach from the pacifier holder, posing a choking hazard.
Remedy	Consumers should immediately stop using the recalled pacifier holders and return them to the nearest Hobby Lobby store for a full refund or store credit.
How to Tell if Your Toy Might Have Been Recalled	This recall involves Little Wishes Summer Plush Pacifier Holder, including the Blue Whale, item number 5202601, and the Pink Octopus, item number 5725213. The pacifier holders are made of a plush fabric, stuffed with fiber, measure approximately 4.5 inches by 2 inches and have a 10-inch ribbon attached to the body. The item number is printed on the top left corner of the product hang tag. "Hobby Lobby 9123069" is printed on the front and back of the sewn-in label.
CPSC Recall Website	https://www.cpsc.gov/Recalls/2016/Hobby-Lobby-Recalls-Infant-Pacifier-Holders
Recall Date	5/12/2016
Number of Units Recalled	12,900
Appeared to Be For Sale Online?	No



Name of Toy	Magnetic No-Pinch Buckle Infant Bicycle Helmets
Importer	Pacific Cycle Inc., of Madison, Wis.
Original Dates of Sale	January 2014 - April 2016
Original Price before Recall	\$18-\$25
Why Toy is a Hazard	The magnetic buckle on the helmet's chin strap contains small plastic covers and magnets that can come loose, posing a risk of choking and magnet ingestion to young children.
Remedy	Consumers should immediately take the helmets away from children and contact Pacific Cycle for instructions on how to receive a free replacement helmet.
How to Tell if Your Toy Might Have Been Recalled	This recall involves infant bicycle helmets with magnetic no-pinch chin strap buckles. The helmets are made for infants ranging from one to three years old. The helmet and its straps come in various colors and design patterns. The buckles have small plastic covers and enclosed magnets. "SCHWINN" is printed on the front of the helmets. Only helmets with the magnetic no-pinch chin strap buckles are affected by this recall.
CPSC Recall Website	https://www.cpsc.gov/Recalls/2016/Pacific-Cycle-Recalls-Infant-Bicycle-Helmets
Recall Date	5/17/2016
Number of Units Recalled	129,000



Name of Toy	Cra-Z-Jewelz Gem Creations
Importers and Distributers	LaRose Industries, of Randolph, N.J. and Target Corp., of Minneapolis, Minn.
Original Dates of Sale	August 2015 - April 2016
Original Price before Recall	\$30
Why Toy is a Hazard	The "Slider Bracelet" in the jewelry making kit contains high levels of lead. Lead is toxic if ingested by young children and can cause adverse health issues.
Remedy	Consumers should immediately take these recalled products away from children and contact LaRose for instructions to receive a full refund.
How to Tell if Your Toy Might Have Been Recalled	Shimmer N' Sparkle Cra-Z-Art Cra-Z-Jewelz Gem Creations Ultimate Gem Machine: UPC #884920174504 Shimmer N' Sparkle Cra-Z-Art Cra-Z-Jewelz Gem Creations Gem Charm and Slider Bracelets: UPC #884920174849 My Look Cra-Z-Art Cra-Z-Jewelz Gem Creations Ultimate Gem Machine: UPC #884920466340
CPSC Recall Website	https://www.cpsc.gov/Recalls/2016/LaRose-Industries-Recalls-Cra-Z-Jewelz-Ultimate-Gem-Jewelry-Machine
Recall Date	6/2/2016
Number of Units Recalled	175,000



Name of Toy	Far East Brokers Chairs and Swings
Manufacturer	Zhejiang Haifu Leisure Products Co. Ltd., of China
Importer	Far East Brokers and Consultants Inc., of Jacksonville, Fla.
Original Dates of Sale	January 2016 - April 2016
Original Price before Recall	\$10-\$50
Why Toy is a Hazard	The screen-printing on the fabric of the chairs and swings contains excessive levels of lead, which is a violation of the federal lead paint standard.
Remedy	Consumers should immediately stop using the recalled chairs and swings, take them away from children and return them to the place of purchase for a full refund.
How to Tell if Your Toy Might Have Been Recalled	Tracking # NOVEMBER/2015
CPSC Recall Website	https://www.cpsc.gov/Recalls/2016/Far-East-Brokers-Recalls-Childrens-Chairs-and-Swings
Recall Date	6/9/2016
Number of Units Recalled	6000
Appeared to Be For Sale Online?	No



Name of Toy	Aero Spin and Aero Cruz Sky Rover toys
Importer	Auldey Toys North America, of Quincy, Mass.
Original Dates of Sale	January 2015 - January 2016
Original Price before Recall	\$11-\$15
Why Toy is a Hazard	USB charging cords can overheat
Remedy	Consumers should immediately stop using the USB cords and contact the firm for instructions on obtaining a free replacement charge cord.
How to Tell if Your Toy Might Have Been Recalled	The following item numbers are included in the recall: YW859110-2, YW859110-3, YW859110-5, YW859110-6 or TTYW859110-5. The item number is printed on a white sticker on the toy's packaging. Only yellow USB charging cords are included in this recall.
CPSC Recall Website	https://www.cpsc.gov/Recalls/2016/Auldey-Toys-Recalls-Sky-Rover-Toys
Recall Date	6/10/2016
Number of Units Recalled	325,000
Appeared to Be For Sale Online?	We have purchased toys with the recalled item numbers, and have notified the CPSC.



Name of Toy	The Land of Nod Octo-rattles
Distributor	The Land of Nod, of Morton Grove, Ill.
Original Dates of Sale	September 2015 - April 2016
Original Price before Recall	\$30 for rattle, \$150 for gift set
Why Toy is a Hazard	The fabric discs on the tentacles of the octopus rattles can detach, posing a choking hazard to young children.
Remedy	Consumers should immediately take the recalled rattles away from children and contact The Land of Nod to receive a full refund.
How to Tell if Your Toy Might Have Been Recalled	"The Land of Nod," "Morton Grove, IL 60053," "951-3072461," "Made in India" and SKU number 502882 are printed on a label attached to the underside of the rattle.
CPSC Recall Website	https://www.cpsc.gov/Recalls/2016/The-Land-of-Nod-Recalls-Octopus-Rattles
Recall Date	6/21/2016
Number of Units Recalled	550



Name of Toy	Self-balancing Scooters/Hoverboards
Manufacturers and Brands	<ul style="list-style-type: none"> • Digital Gadgets LLC: Hover-Way • Hoverboard LLC: Powerboard • Hype Wireless: Hype Roam • Keenford Ltd.: iMoto • PTX Performance Products USA: Airwalk Self Balancing Electric Scooter • Razor USA LLC: Hovertrax • Swagway LLC: Swagway X1 • Yuka Clothing: Wheeli, 2Wheelz, Back to the Future, Mobile Tech, Hover Shark, NWS, X Glider and X Rider • Orbit available at Boscov's
Original Dates of Sale	June 2015 - May 2016
Original Price before Recall	\$350-\$900
Why Toy is a Hazard	The lithium-ion battery packs in the self-balancing scooters/hoverboards can overheat, posing a risk of the products smoking, catching fire and/or exploding.
Remedy	Consumers should immediately stop using these recalled products and contact the recalling company to return their hoverboard for a full refund, a free repair or a free replacement depending on the model.
How to Tell if Your Toy Might Have Been Recalled	Contact the manufacturer if the hover board does not have a UL certification sticker.
CPSC Recall Website	https://www.cpsc.gov/Recalls/2016/Self-Balancing-Scooters-Hoverboards-Recalled-by-10-Firms
Recall Date	7/6/2016
Number of Units Recalled	501,000
Appeared to Be For Sale Online?	Numerous hoverboards are available online from various manufacturers. We recommend you confirm that any product you choose is UL-certified.



Name of Toy	Kids' Insulated Water Bottles
Importer	GSI Outdoors, Inc., of Spokane, Wash.
Original Dates of Sale	July 2015 - May 2016
Original Price before Recall	\$20
Why Toy is a Hazard	The lead solder at the exterior base of the bottle contains high levels of lead. Lead is toxic if ingested by young children and can cause adverse health issues.
Remedy	Consumers should immediately stop using the recalled water bottles and contact L.L.Bean for a full refund.
How to Tell if Your Toy Might Have Been Recalled	The item identification number 297684 is printed on a sticker on the bottom of the bottle. Also printed on the sticker are "PO#844" and "BB2D2-LLB-R45-0413."
CPSC Recall Website	https://www.cpsc.gov/Recalls/2016/GSI-Outdoors-Recalls-Childrens-Water-Bottles
Recall Date	7/19/2016
Number of Units Recalled	6,700
Appeared to Be For Sale Online?	No



Name of Toy	Sweet Charm Necklace
Manufacturer	Things Remembered, Inc., of Highland Heights, Ohio
Original Dates of Sale	February 2015 - June 2016
Original Price before Recall	\$25
Why Toy is a Hazard	The clear surface coating on the bracelets and necklaces contain lead in excess of the allowable limit. Lead is toxic if ingested by young children and can cause adverse health issues.
Remedy	Consumers should immediately take the recalled jewelry away from children and contact Things Remembered for a full refund, including shipping charges, or a replacement gift of equal value.
How to Tell if Your Toy Might Have Been Recalled	The necklaces are gold plated on a 13-inch box chain with a 2-inch extender, a lobster claw closure and three charms – a pink ice cream cone, a pink crystal cupcake and a gold-plated tag with "SWEET" engraved.
CPSC Recall Website	https://www.cpsc.gov/Recalls/2016/Things-Remembered-Recalls-Childrens-Jewelry
Recall Date	7/19/2016
Number of Units Recalled	3,300
Appeared to Be For Sale Online?	No



Name of Toy	Silver Heart Bracelet
Manufacturer	Things Remembered, Inc., of Highland Heights, Ohio
Original Dates of Sale	February 2015 - June 2016
Original Price before Recall	\$25
Why Toy is a Hazard	The clear surface coating on the bracelets and necklaces contain lead in excess of the allowable limit. Lead is toxic if ingested by young children and can cause adverse health issues.
	Consumers should immediately stop using the recalled water bottles and contact L.L.Bean for a full refund.
Remedy	Consumers should immediately take the recalled jewelry away from children and contact Things Remembered for a full refund, including shipping charges, or a replacement gift of equal value.
How to Tell if Your Toy Might Have Been Recalled	6-inch, silver-plated bracelets have 10 silver hearts and circle links, a lobster claw clasp, and one silver heart-shaped charm.
CPSC Recall Website	https://www.cpsc.gov/Recalls/2016/Things-Remembered-Recalls-Childrens-Jewelry
Recall Date	7/19/2016
Number of Units Recalled	6,700
Appeared to Be For Sale Online?	No



Name of Toy	“Step-iT” Activity Wristbands
Distributor	McDonald’s Corp., of Oakbrook, Ill.
Original Dates of Sale	August 9, 2016 - August 17, 2016
Original Price before Recall	Included w/ Happy Meal and Mighty Kids Meal
Why Toy is a Hazard	The recalled wristbands can cause skin irritation or burns to children.
Remedy	Consumers should immediately take the recalled wristbands from children and return them to any McDonald’s for a free replacement toy and either a yogurt tube or bag of apple slices.
How to Tell if Your Toy Might Have Been Recalled	The recalled wristbands come in multiple colors and say “STEP-iT” on the front.
CPSC Recall Website	https://www.cpsc.gov/Recalls/2016/mcdonalds-recalls-step-it-activity-wristbands
Recall Date	8/23/2016
Number of Units Recalled	29,000,000
Appeared to Be For Sale Online?	No



Name of Toy	M&M'S Branded Jewelry
Distributor	Mars Retail Group, of Mount Arlington, N.J.
Importer	Phillips International Inc., of Hallandale, Fla.
Original Dates of Sale	May 2015 - July 2016
Original Price before Recall	\$6-\$18
Why Toy is a Hazard	The jewelry can contain high levels of lead. Lead is toxic if ingested by young children and can cause adverse health issues.
Remedy	Consumers should immediately stop using the recalled jewelry, place the items out of the reach of children, and contact M&M'S World or visit an M&M'S World store to return the jewelry for a full refund.
How to Tell if Your Toy Might Have Been Recalled	This recall involves all M&M-branded jewelry, including some children's jewelry. Recalled items include earrings, rings, bracelets and necklaces sold between May 2015 and July 2016. Jewelry items included in the recall have the M&M'S logo "M" as a charm or other feature.
CPSC Recall Website	https://www.cpsc.gov/Recalls/2016/mars-retail-group-recalls-mms-branded-jewelry
Recall Date	8/25/2016
Number of Units Recalled	52,400
Appeared to Be For Sale Online?	No



Name of Toy	ALEX Jr. Baby Builder, First Pops and First Snaps
Importer	ALEX Toys, New Jersey
Original Dates of Sale	March 2009 - June 2016
Original Price before Recall	Baby Builder cost \$28, First Pops cost \$18, First Snaps cost \$18
Why Toy is a Hazard	Small parts of the plastic toy building sets can detach, posing a choking hazard to young children.
Remedy	Consumers should immediately take the recalled building sets away from children and contact ALEX for a prepaid shipping envelope to return the product(s). ALEX will send consumers a full refund upon receipt of returned sets.
How to Tell if Your Toy Might Have Been Recalled	The CPSC recall website does not provide model numbers, but they were originally sold at Barnes & Noble and Land of Nod and online at www.Zulily.com.
CPSC Recall Website	https://www.cpsc.gov/Recalls/2016/alex-toys-recalls-infant-building-play-sets-due-to-choking-hazard
Recall Date	8/23/2016
Number of Units Recalled	91,000



Name of Toy	Bump and Go Action Egg Laying Chickens
Distributor	Dazzling Toys, of Monroe, N.Y.
Importer	JW Crawford, Inc., of Monroe, N.Y.
Original Dates of Sale	February 2016 - July 2016
Original Price before Recall	\$12
Why Toy is a Hazard	The toys contain small eggs and the chicken can break into small plastic pieces, both posing a choking hazard to children.
Remedy	Consumers should immediately stop using the recalled toys and contact the firm for a full refund. Dazzling Toys is contacting consumers who purchased the recalled toys.
How to Tell if Your Toy Might Have Been Recalled	This recall involves the Bump and Go Action Egg Laying Chickens with lights, music and bump and go action. The battery-powered plastic toy was sold in two styles – a yellow chicken with an orange head and wings and a multi-colored (yellow, green and orange) chicken. The chicken toy includes three white plastic eggs that are placed into the back of the chicken, and then released from the bottom. The yellow-colored chicken measures 7 inches wide by 6 inches tall by 7 inches deep. The multi-colored chicken measures 7 inches wide by 5 inches tall by 4 inches deep. The eggs for both toys are one inch wide by one inch tall by one inch deep.
CPSC Recall Website	https://www.cpsc.gov/Recalls/2016/dazzling-toys-recalls-chicken-toys/
Recall Date	8/30/2016
Number of Units Recalled	800



Name of Toy	Babies 'R' Us Pacifier Clips
Importer and Distributer	Toys 'R' Us Inc., of Wayne, N.J.
Original Dates of Sale	February 2015 - April 2016
Original Price before Recall	\$4
Why Toy is a Hazard	The pacifier clip's spring mechanism can break and release small parts, posing a choking hazard.
Remedy	Consumers should immediately take the recalled pacifier clips from babies and return the product to Babies 'R' Us or Toys 'R' Us for a refund.
How to Tell if Your Toy Might Have Been Recalled	This recall involves Babies'R'Us pacifier clips sold in an assortment of six colors and character designs, including a red monster, blue monster, monkey, giraffe, owl with one eye closed, and an owl with both eyes open. The pacifier clips have a circular plastic cover affixed to a metal spring clip and a fabric strip with snaps at the other end. The recalled pacifier clip assortment has model number 5F6237F and "©2014 Geoffrey, LLC" engraved on the back to the plastic cover.
CPSC Recall Website	https://www.cpsc.gov/Recalls/2016/Toys-R-Us-Recalls-Pacifier-Clips
Recall Date	9/8/2016
Number of Units Recalled	53,000
Appeared to Be For Sale Online?	No



Name of Toy	Glion Electric Scooters
Importer and Distributer	Probity Cell LLC, of Holdrege, Neb.
Original Dates of Sale	September 2014 - September 2015
Original Price before Recall	\$380- \$550
Why Toy is a Hazard	The frame of the scooter can break where the unit folds, posing a fall hazard.
Remedy	Consumers should immediately stop using the recalled electric scooters and contact Probity Cell for a free repair or a store credit toward the purchase of another product.
How to Tell if Your Toy Might Have Been Recalled	Glion SmartScooter Model 100
CPSC Recall Website	https://www.cpsc.gov/Recalls/2017/Glion-Electric-Scooters-Recalled-by-Probity-Cell
Recall Date	10/3/2016
Number of Units Recalled	230
Appeared to Be For Sale Online?	No



Appendix 1. Reported Toy-Related Deaths, 2001-2014

Toy-Related Deaths in Children Younger than 15, 2001-2014 ⁵⁵

	2001	2002	2003	2004	2005	2006	2007	2008	2009	2010	2011	2012	2013	2014	2001-2014 total
Choking/ Asphyxiation															
Balloons	4	3	3	3	2	3	4	2	2	5	5	3	1	1	41
Marbles/ Rubber balls/ other small ball	1	2	5	4	9	4	5	2	0	3	0	1	1	0	37
Toy or Toy Part	3	3	3	2	0	5	1	1	2	2	0	3	4	1	30
Sub-total	8	8	11	9	11	12	10	5	4	10	5	7	6	2	108
Riding Toys, Scooters, Tricycles	13	5	0	5	8	11	8	10	8	1	5	7	2	7	90
Toy Boxes	2	0	0	0	0	0	0	1	1	2	1	0	NA	NA	7
Other	2	0	0	8	7	5	6	9	4	6	8	1	1	2	59
Total	25	13	11	22	26	28	24	25	17	19	19	15	9	11	264
% Choking/Asphyxia	32%	62%	100%	41%	42%	43%	42%	20%	24%	53%	26%	47%	67%	18%	41%

Appendix 2. CPSC Characteristics of Toys for Children Under Three

The following are some general characteristics that make toys appealing to children under three.

Size and Weight: Small and lightweight, easy to handle.

Theme: Represents a common object found around the home, farm, or neighborhood.

Degree of Realism: Silly or cute, some realistic details.

Colors: Bright, contrasting colors covering large areas of the toy.

Noisemaking: Not loud or frightening.

Action and Movement: May be silly, should be easy for child to cause movement.

Type and level of skill: Lets child begin to learn skills or practice skills such as walking, stacking, and sorting; should be slightly beyond child's capabilities to maintain interest.

Notes

1 U.S. Consumer Product Safety Commission, Toy-Related Deaths and Injuries, October 2015, available at <https://www.cpsc.gov/s3fs-public/pdfs/ToyReport2014.pdf>.

2 CPSC's Resellers Guide to Selling Safer Products, 2008, available at <https://www.cpsc.gov/s3fs-public/ResellersGuide.pdf> or <https://www.cpsc.gov/Business--Manufacturing/Business-Education/ResaleThrift-Stores-Information-Center>

3 U.S. Consumer Product Safety Commission, Recall Listing, <https://www.cpsc.gov/Recalls>, (accessed on 10 November, 2016).

4 Centers for Disease Control and Prevention, Fourth National Report on Human Exposure to Environmental Chemicals, February 2009.

5 Centers for Disease Control and Prevention, Lead: Toys, www.cdc.gov/nceh, (accessed on 12 November, 2015).

6 Centers for Disease Control and Prevention, Lead: Prevention Tips, www.cdc.gov/nceh, (accessed on 12 November, 2015).

7 Ibid.

8 Ibid.

9 Ibid.

10 Consumer Product Safety Commission, Total Lead Content, <http://www.cpsc.gov/en/Business--Manufacturing/Business-Education/Lead/Total-Lead-Content/>, (accessed on 11 November, 2016).

11 Ibid.

12 Ibid.

13 American Academy of Pediatrics, Testimony of Dana Best, MD, MPH, FAAP, on Behalf of the American Academy of Pediatrics: Energy and Commerce Subcommittee on Commerce, Trade, and Consumer Protection: Protecting Children from Lead Paint Imports, 20 September 2007.

14 American Chemistry Council, Phthalates, <http://phthalates.americanchemistry.com/>, (accessed on 11 November 2016).

15 Male development: National Institutes of Health, National Library of Medicine, Tox Town, Phthalates, toxtown.nlm.nih.gov/text_version/chemicals.php?id=24, (accessed on 11 November, 2016); Early puberty: I. Colon, et al., "Identification of Phthalate Esters in the Serum of Young Puerto Rican Girls with Premature Breast Development," *Environmental Health Perspectives* 108: 895-900, 2000.

16 National Institutes of Health, National Library of Medicine, Tox Town, Phthalates, toxtown.nlm.nih.gov/text_version/chemicals.php?id=24, (accessed on 11 November, 2016).

17 Safer Chemicals, Healthy Families, Target, www.saferchemicals.org/retailers/target, (accessed on 11 November, 2016).

18 Consumer Product Safety Commissions, Phthalates, <http://www.cpsc.gov/en/Business--Manufacturing/Business-Education/Business-Guidance/Phthalates-Information/#p-5>, (accessed on 11 November, 2016); Note: for the purposes of these phthalate regulations, a “children’s toy” is defined as a “consumer product designed or intended by the manufacturer for a child who is 12 years old or younger.” “Child care articles” are defined as “consumer products that are designed or intended by the manufacturer for a child who is three years old or younger, to facilitate sleeping or feeding, or to help a child who is sucking or teething.”

19 Consumer Product Safety Commission, FAQs: Bans on Phthalates in Children’s Toys, <http://www.cpsc.gov/en/Business--Manufacturing/Business-Education/Business-Guidance/Phthalates-Information/#p-5>, (accessed on 11 November, 2016).

20 Chris Gennings, et al., Report to the U.S. Consumer Product Safety Commission by the Chronic Hazard Advisory Panel on Phthalates and Phthalate Alternatives, July 2014

21 “Prohibition of Children’s Toys and Child Care Articles Containing Specified Phthalates.” *U.S. Consumer Product Safety Commission*. <http://www.cpsc.gov/en/Regulations-Laws--Standards/Rulemaking/Final-and-Proposed-Rules/Prohibition-of-Childrens-Toys-and-Child-Care-Articles-Containing-Specified-Phthalates/>, (accessed on 11 November, 2016).

22 See note 1.

23 Consumer Product Safety Commission, Office of Compliance, Small Parts Regulations: Toys and Products Intended for Use by Children Under 3 Years Old: 16 C.F.R Part 1501 and 1500.50-53, January 2001

24 16 CFR 1500.19(b)(1).

25 Marbles: 16 CFR 1500.19(a)(4)(i); vending machines and toy bins: 16 CFR 1500.19(a)(8).

26 16 CFR 1501.2(b).

27 16 CFR 1501.3.

28 16 CFR 1500.18(a)(17).

29 See note 1.

30 16 CFR 1500.18(a)(17).

31 16 CFR 1500.19(b)(3)(i).

32 Ibid.

33 Consumer Product Safety Commission, *CPSC Safety Alert: CPSC Warns Consumers of Suffocation Danger Associated with Children’s Balloons*, 2012.

34 See note 1.

35 16 CFR 1500.19(b)(2).

36 Consumer Product Safety Commission, CPSC Warns High-Powered Magnets and Children Make a Deadly Mix, www.cpsc.gov/Newsroom/News-Releases/2012/CPSC-Warns-High-Powered-Magnets-and-Children-Make-a-Deadly-Mix/, (accessed on 11 November, 2016).

37 Teri Sforza, “Watchdog: Magnets in Toys Can Be Deadly,” *Orange County Register*, 1 October 2015; Consumer Federation of America, CPSC Issues Final Rule to Protect Children from Hazardous High Powered Magnets (press release), 24 September 2014; Elizabeth Cohen, “Powerful Magnets in Toys Raise Risks from Swallowing,” *CNN*, 5 June 2012; Consumer Product Safety Commission, CPSC Approves Strong Federal Safety Standards for High Powered Magnet Sets to Protect Children and Teenagers (press release), 25 September 2014.

38 Consumer Product Safety Commission, CPSC Approves Strong Federal Safety Standards for High-Powered Magnet Sets to Protect Children and Teenagers (press release), 25 September 2014.

39 Jayne O’Donnell, “CPSC May Ban Tiny Magnets that Killed a Child,” *USA Today*, 4 September 2014.

40 Consumer Federation of America, Pediatricians and Consumer Advocates Ask CPSC for Swift Action on High-Powered Magnet Safety Standards (press release), 1 October 2015.

41 Consumer Product Safety Commission, CPSC Approves Strong Federal Safety Standard for High-Powered Magnet Sets to Protect Children and Teenagers, <http://www.cpsc.gov/Newsroom/News-Releases/2014/CPSC-Approves-Strong-Federal-Safety-Standard-for-High-Powered-Magnet-Sets-to-Protect-Children-and-Teenagers/>, (accessed on 11 November, 2016).

42 Matt Strickland, Daniel Rosenfield and Annie Fecteau, "Magnetic Foreign Body Injuries: A Large Pediatric Hospital Experience," *The Journal of Pediatrics* 165 (2): 332-335, May 2014.

43 Federal Register, Final Rule: Safety Standard for Magnet Sets: A Rule by the Consumer Product Safety Commission, 3 October 2014.

44 ASTM International, F963-11, Standard Consumer Safety Specification for Toy Safety (West Conshohocken, PA: ASTM International, 2012).

45 Jayne O'Donnell, "CPSC Buckyballs Settlement Gives Buyers Refunds," *USA Today*, 17 July 2014; and Consumer Product Safety Commission, Recall Lawsuits: Adjudicative Proceedings, <http://www.cpsc.gov/en/Recalls/Recall-Lawsuits/Adjudicative-Proceedings/>, (accessed on 11 November, 2016).

46 National Institute on Deafness and Other Communication Disorders, National Institutes of Health, U.S. Department of Health and Human Services, NIDCD Fact Sheet: Noise Induced Hearing Loss, December 2008.

47 A.S. Niskar, et al., "Prevalence of Hearing Loss among Children 6 to 19 Years of Age: The Third National Health and Nutrition Examination Survey," *Journal of the American Medical Association* 279: 1071-1075, 1998.

48 American Speech-Language-Hearing Association, The Prevalence and Incidence of Hearing Loss in Children, <http://www.asha.org/public/hearing/Prevalence-and-Incidence-of-Hearing-Loss-in-Children/>, (accessed on 11 November, 2016).

49 Sight and Hearing Association, *Sound Off: Noisy Toys Pose Hearing Threat*, 2011.

50 See note 44.

51 Kids in Danger, *Smoldering Hazards: Fire and Burn Hazards of Children's Product Recalls*, 2007. http://www.kidsindanger.org/docs/reports/2007_burn_report.pdf.

52 U.S. Consumer Product Safety Commission, Recall Listing, <https://www.cpsc.gov/Recalls>, (accessed on 10 November, 2016).

53 Ibid.

54 See note 3.

55 See note 1. 2014 is the most recent year for which data are available.